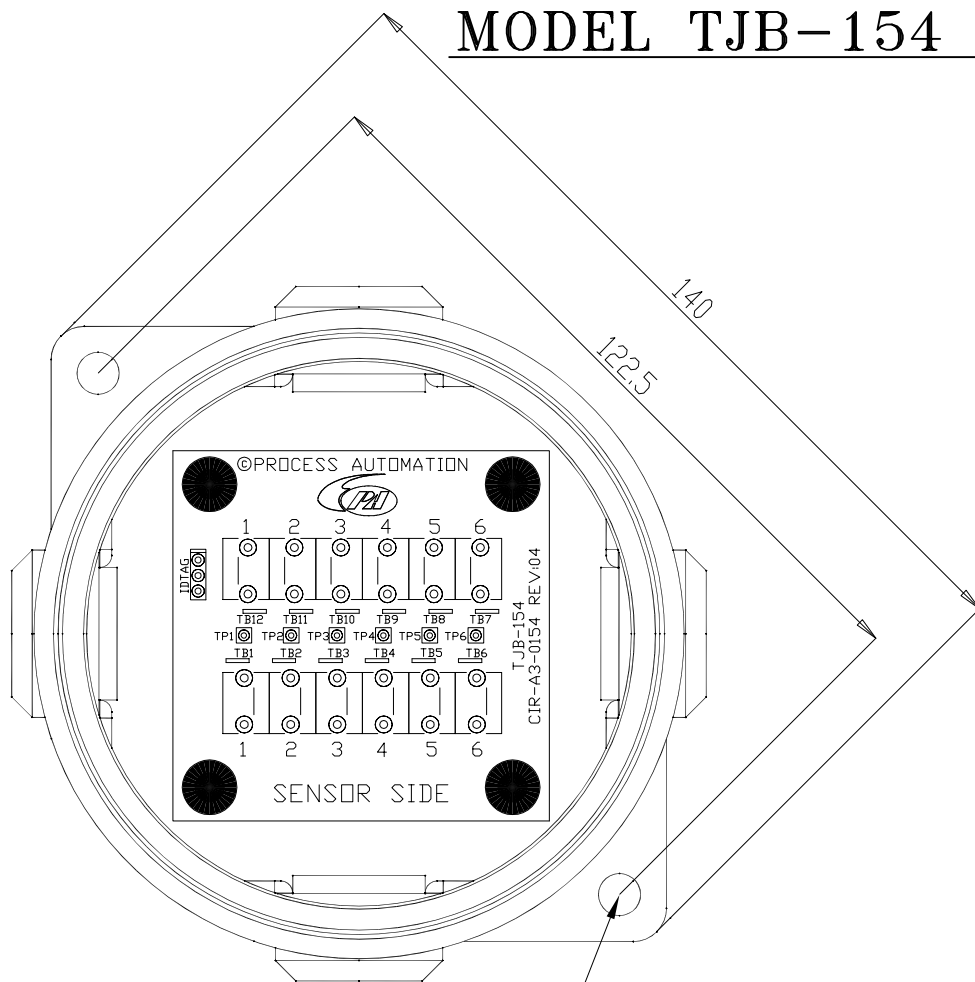
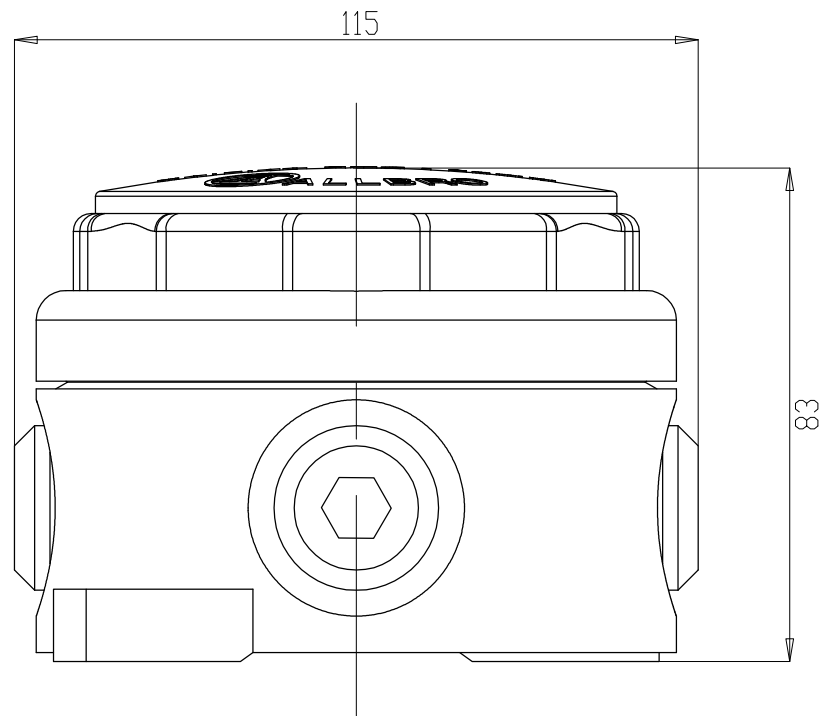


MODEL TJB-154 JUNCTION BOX



MOUNTING HOLES X 2
(SUITABLE FOR M6 BOLTS)



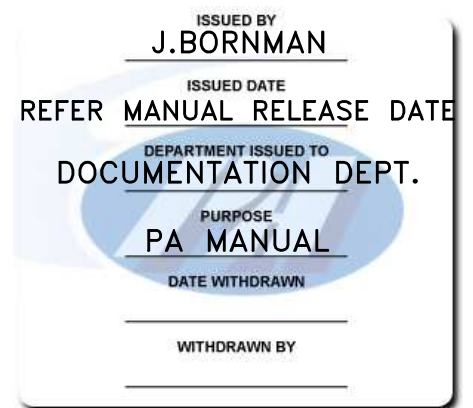
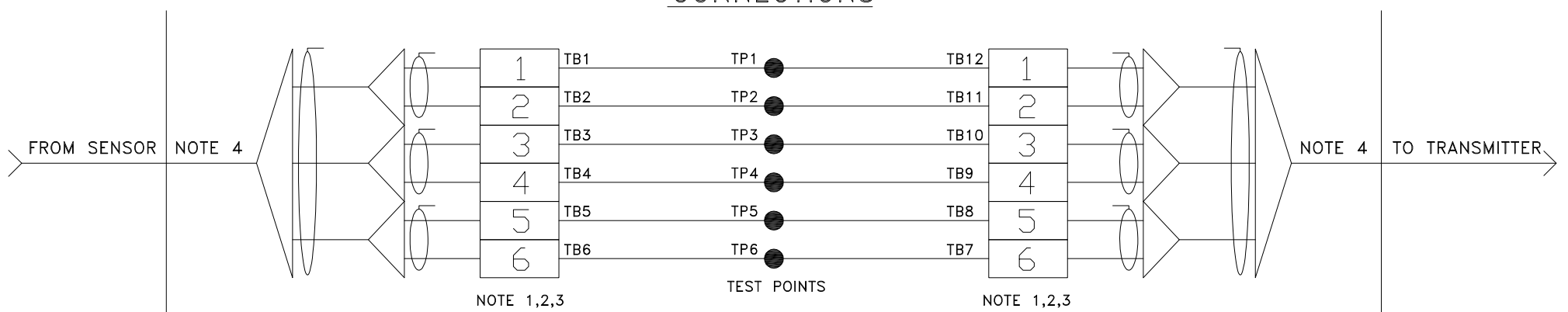
ENCLOSURE SPECIFICATIONS

PROTECTION : IP68 (WITH IP68 CABLE GLANDS ONLY)
 ZONE : TBA – CONTACT PROCESS AUTOMATION
 MATERIAL : DMC POLYESTSER
 GLAND ENTRIES : M20 x 1.5
 MOUNTING : 2 x M6 BOLTS

PRODUCT SPECIFICATIONS

PART NO : CTH-3451
 MASS (kg) : 0.570
 OPERATING TEMPERATURE RANGE: -10°C to 70°C
 STORAGE TEMPERATURE RANGE : -10°C to 70°C

CONNECTIONS



NOTES:

- FOR LOW VOLTAGE USE ONLY (NOMINAL 24V MAXIMUM).
- CURRENT CARRYING CAPACITY IS 5A MAXIMUM (WHEN USING APPROPRIATE CABLE CONDUCTOR SIZE).
- CONNECTOR SUITABLE FOR CABLE CONDUCTOR SIZE: 0.2mm² MINIMUM; 1.5mm² MAXIMUM (STRANDED or SOLID CONDUCTOR).
- EXAMPLE CABLE:
 PA CABLE PART NO. 2840/050 (3 PAIR / 0.5mm² CONDUCTOR SIZE) or
 PA CABLE PART NO. 2841/050 (2 PAIR / 0.5mm² CONDUCTOR SIZE)

REV	DATE	BY	DESCRIPTION	Eng. Approved	Reviewed
03	11.09.2017	J.Bornman	Revised PCB Shape to Latest Revision	M.E'SILVA	I.THORNTON
02	28.10.2013	A.Coetzee/ J.Bornman	Revised PCB Orientation. Added Product Specifications	I.THORNTON	I.THORNTON
01	10.06.2013	J.Bornman	Issued for Distribution	I.THORNTON	I.THORNTON
00	10.06.2013	J.Bornman	Issued for Comments	I.THORNTON	I.THORNTON

Copyright
Process Automation (PTY) LTD.
 RANDBURG

"THE INFORMATION HEREIN CONTAINED IS CONFIDENTIAL AND FOR YOUR EYES ONLY, AND THE COPYRIGHT IN THIS WORK VESTS IN PROCESS AUTOMATION (PTY) LTD, AND YOU BY ACCESSING THIS DRAWING, AGREE TO BE BOUND BY THE TERMS AND CONDITIONS OF THE COPYRIGHT ACT AND TO ACT ACCORDINGLY."

Eng. Approved I.THORNTON	Date 10.06.2013	TITLE MODEL TJB-154 JUNCTION BOX
Drawn by J.Bornman	Date 10.06.2013	
Reviewed I.THORNTON	Date 10.06.2013	CUSTOMER: ** TAG No: **

Tolerance unless otherwise noted: ≤100mm±0.4mm ; >100mm±0.8mm >500mm±1.6mm ; >1000mm±2.0mm >2000mm±4.0mm ; Angles ±1° ALL DIMENSIONS ON PRECISION WORK ARE APPLICABLE AT 20°C AND NO DIMENSIONS TO BE SCALED OFF DRAWING.	JOB Ref: **	Scale: N.T.S	Sheet 1 of 1
	DWG. NO. & CAD. REF. WIR002-001-206		Rev. 03