

STORAGE GUIDELINES

CATEGORY A-

STORAGE GUIDELINES FOR ELECTRONICS AND COMPONENTS:

- The Unipro and tachometer should be kept in an indoor low-humidity store (Relative humidity $\leq 60\%$ for maximum storage life) and subject to constant temperature in the range $+15$ to $+25$ °C (Temperature fluctuation ideally less than 3 °C/48 hours) away from direct sunlight or artificial light with a high proportion of UV radiation.
- The Store is to be clean, dust-free, dry, free from air flow and free from external vibrations (else dampened semi-soft rubber mat with an appropriate thickness).
- The storage period for the tachometer should not exceed 3 years due to the following potential hazards of the greased filled bearings:
 - Grease separation in pre-greased (double shielded or sealed bearings)
 - Grease settling to one side of the bearing
 - False brinelling damage
 - Corrosion
- The storage area should be free from ozone producing equipment (unguarded fluorescent lights, high voltage electronics, etc) equipment and from near chemicals, oils, solvents, lubricants and acids or any other substances.
- Generally the following recommendations should apply when storing any Electronics:
 - Protection from elements (Sun, wind, rain)
 - Clean, dry, dust free environment
 - Temperature fluctuation ideally less than 3 °C/48 hours (This cannot be overcome without air conditioning, ventilation control)
 - Relative humidity $\leq 60\%$
 - Free from vibrations
 - Keep items in original packaging for as long as possible.
 - Do not move items around unnecessarily.

CATEGORY B-

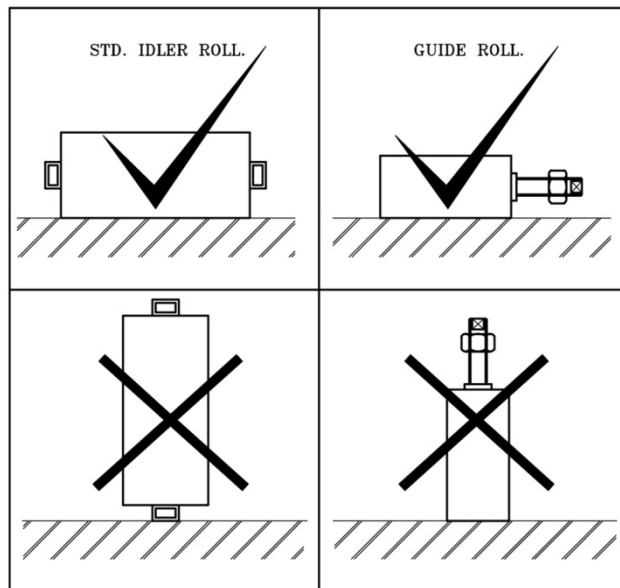
STORAGE GUIDELINES FOR ELECTROMECHANICAL SCALE/COMPONENTS

- The mechanical components of the scale should be stored horizontally in their original packages until needed.
- These should never be stored directly on the ground but on pallets or a lay down area at least 20cm above the ground and should avoid being exposed long term to wet conditions.
- The storage area should be free from ozone producing equipment (unguarded fluorescent lights, high voltage electronics, etc) equipment and from near chemicals, oils, solvents, lubricants and acids or any other substances.
- Generally the following recommendations should apply when storing equipment:
 - Protection from elements (Sun, wind, rain)
 - Free from vibrations
 - Keep items in original packaging for as long as possible.
 - Do not move items around unnecessarily,

CATEGORY C –

STORAGE GUIDELINES FOR IDLER ROLLS:

- Idler rollers must be stored off the ground preferably on the pallets / boxes and under cover.
- Rollers must never be stored in the vertical position (this includes guide rolls), see illustration below. Rollers must never lie in pools of water.
- Rollers are not to be stored outside, exposed to sun and rain for more than 3 months and should be stored under roof cover, not under a tarpaulin.
- When rollers are to be stored for a long period, the rollers should be spun to prevent the separation of the grease in the bearings and to change the ball contact point with the bearing outer race.
- If the rollers are stored under cover, the rollers need to be spun at 18 months and repeat every 3 months thereafter.
- For idlers stored outside, the rollers need to be spun at 3 months and repeat monthly thereafter.



CATEGORY D –

STORAGE REQUIREMENTS FOR ISOTOPES

- No radioactive material or instrument or apparatus containing such material may be stored on any premises zoned for domestic purposes.
- When in storage the source assembly of a nuclear gauge must be secured in the “beam off” position
- Warning signs, of a design approved by the Department, must be displayed at the entrance to the storeroom or storage area to indicate the presence of radioactive material.
- Dose rates outside the store must not exceed 2.5 $\mu\text{Sv/h}$ (0.25 mR/h).
- A notice containing the names and telephone numbers of persons who can be telephoned in the event of an emergency, must be displayed at all storage facilities for radioactive material.
- The storage facility must be duly lockable and no unauthorised entry shall take place.
- No radioactive material may be stored with, or in close proximity to any corrosive, combustible or explosive material.