

A

B

C

D

E

N.H.A. **

Note 8

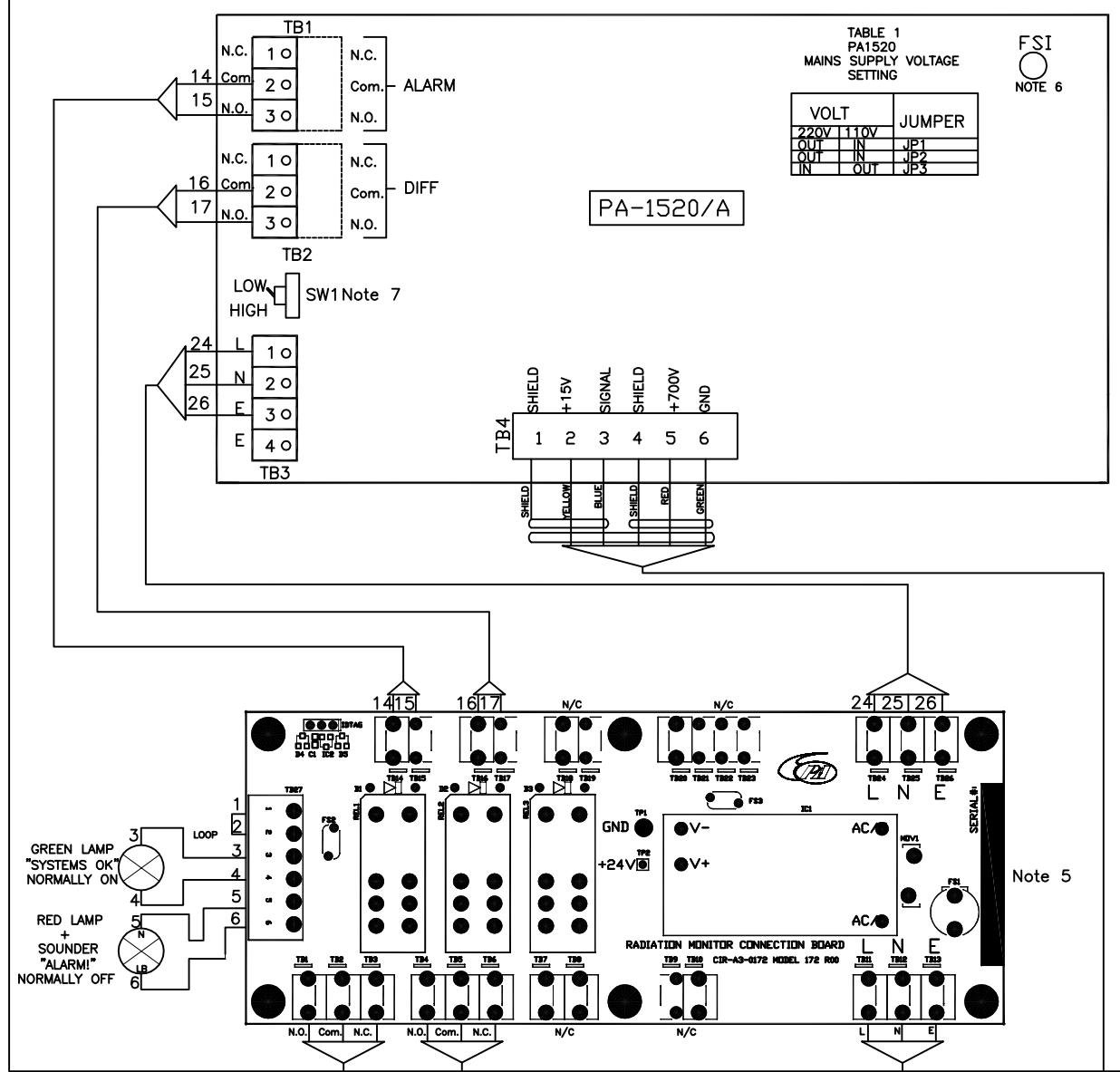
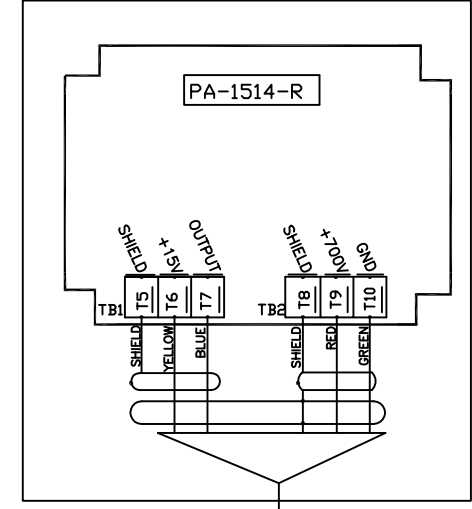


TABLE 1
PA1520
MAINS SUPPLY VOLTAGE
SETTING

VOLT	JUMPER
220V	JP1
110V	JP2
OUT IN	JP3
OUT IN	JP3

FSI
NOTE 6

Note 10



Note 9



NOTES:

- HAZARDOUS VOLTAGES ARE PRESENT. CONTACT WILL CAUSE ELECTRIC SHOCK OR BURN. TURN OFF AND LOCK OUT POWER BEFORE SERVICING.
- THE MAINS POWER SUPPLY VOLTAGE CAN BE 110 VAC OR 220 VAC (50/60 HZ) SPECIFIED AT THE TIME OF ORDER. (REFER TO TABLE 1 TO VERIFY PA1520 SELECTION) MAINS POWER SUPPLIED TO THE UNIT TO BE INSTRUMENTATION QUALITY AND TRANSIENT FREE. POWER CONSUMPTION IS 50W MAXIMUM.
- SYSTEM OK NORMALLY ACTIVE RELAY OUTPUT. THE CHANGE OVER CONTACT IS RATED AT 5A/250VAC or 5A/30VDC FOR RESISTIVE LOADS; 2A/250VAC or 3A/30VDC FOR INDUCTIVE LOADS.
- ALARM NORMALLY ACTIVE RELAY OUTPUT. THE CHANGE OVER CONTACT IS RATED AT 5A/250VAC or 5A/30VDC FOR RESISTIVE LOADS; 2A/250VAC or 3A/30VDC FOR INDUCTIVE LOADS.
- CONNECTION BOARD FUSE FS1 - 1.6A 250VAC 5X20MM SLOW BLOW (T).
- PA1520/A FUSE FS1 - 500mA 250VAC 5X20MM SLOW BLOW (T).
- SW1 MUST BE SET TO THE LOW POSITION.
- ENCLOSURE MATERIAL IS POLYCARBONATE RATED TO IP65 WHEN SUITABLE CABLE GLANDS ARE FITTED. REFER TO XXXXXX FOR ENCLOSURE DIMENSIONS.
- HIGH VOLTAGE (1000V) CABLE PA PART NUMBER 2838/100. MAXIMUM LENGTH 300 METERS.
- REFER TO ENC-A3-0002 FOR ENCLOSURE DETAIL.

Note 5

01	08.10.2015	K.FOURIE	ISSUED FOR DISTRIBUTION	I.THORNTON	I.THORNTON
00	08.10.2015	K.FOURIE	ISSUED FOR COMMENTS	I.THORNTON	I.THORNTON

Copyright
Process Automation (PTY) LTD.
RANDBURG

THE INFORMATION HEREIN CONTAINED IS CONFIDENTIAL AND FOR YOUR EYES ONLY, AND THE COPYRIGHT IN THIS WORK VESTS IN PROCESS AUTOMATION (PTY) LTD. AND YOU BY ACCESSING THIS DRAWING, AGREE TO BE BOUND BY THE TERMS AND CONDITIONS OF THE COPYRIGHT ACT AND TO ACT ACCORDINGLY.

ENG APPROVED	DATE	TITLE
I.THORNTON	08.10.2015	RADIATION MONITOR MODEL RM310 INTERCONNECT WIRING DIAGRAM
DRAWN BY	DATE	CUSTOMER:
K.FOURIE	08.10.2015	**
REVIEWED BY	DATE	TAG NO/S:
I.THORNTON	08.10.2015	**
JOB REF NO.		SCALE:
**		N.T.S. A3
DWG. NO.		SHEET 1 of 1
WIRO06-002-206		REV
		01

1
2
3
4